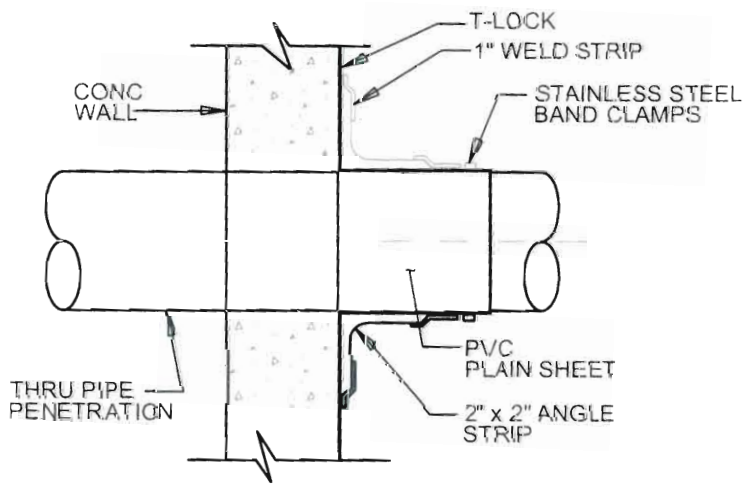
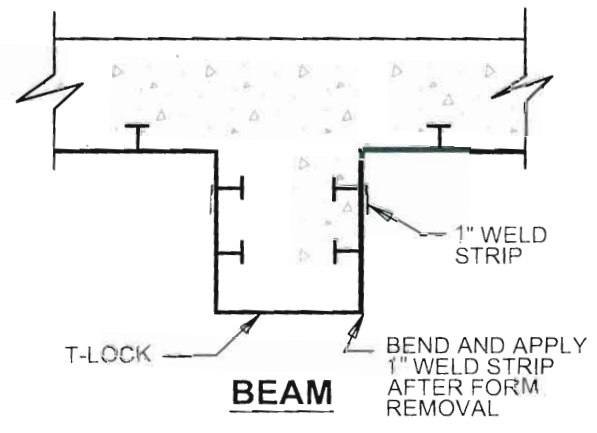
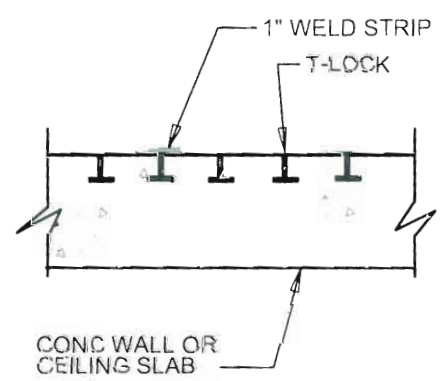


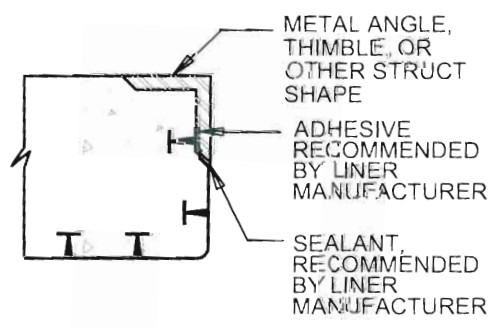
**CORNER**



**PIPE PENETRATION**



**SPLICE**



**METAL EMBED**

**NOTES:**

1. AT BUTT JOINTS, INSTALL 1" WELD STRIP ON FRONT AND BACK.
2. LINER RIBS SHALL BE ORIENTED VERTICALLY ON VERTICAL SURFACES.



**P.V.C. T-LOCK LINER DETAILS**

APPROVED: *[Signature]*  
CITY ENGINEER

DATE: 10-15-2013

STD PLAN NUMBER  
**212-0**  
SHEET 1 OF 1